

DACIA

DACIA SANDERO STEPWAY



3rd April 2024

1

**EXPLORE
YOUR SANDERO
STEPWAY**

DISCOVER



2

**YOUR SANDERO
STEPWAY FOR
DAILY USE**

DISCOVER



3

**EQUIPMENT
AND TECHNICAL
CHARACTERISTICS**

DISCOVER



4

**THE DACIA SPIRIT:
GOOD THINKING**

DISCOVER



JUST ESSENTIAL



TAKING A BREAK EVERY DAY DACIA WITH SANDERO STEPWAY

Dacia Sandero Stepway reaffirms its crossover style: take escapism to the next level thanks to the new Extreme finish, which gives the vehicle an even stronger off-road look.



A SENSE OF ADVENTURE

A single glance and you are already itching to escape with Dacia Sandero Stepway. Its sculpted bonnet, bold front end, protective features and high ground clearance give it the dynamic and robust style of an authentic crossover. Its LED headlights, Y-shaped brand light and glossy black grille give it even more character.



Live the adventure thanks to its Extreme finish with an even more prominent outdoor spirit: Copper Brown door mirrors, alloy wheel rims and Glossy Black shark fin antenna. A unique style topped with distinctive elements featuring topographical patterns to better identify it. And with Extended Grip, which improves traction, get off the beaten track.



Brand light



Extended Grip Button



WELL-DESIGNED COMFORT

All the technological features you need: climb aboard effortlessly thanks to keyless entry and discover the style of the new passenger compartment. In the Extreme finish, the interior features new, easy to clean, mixed TEP MicroCloud fabric upholstery, with a soft-touch velvet appearance also present on the instrument panel and armrests. The Copper Brown touches and topographic lines recalled on the rubber floor mats complement the vehicle's unmistakable outdoor spirit.

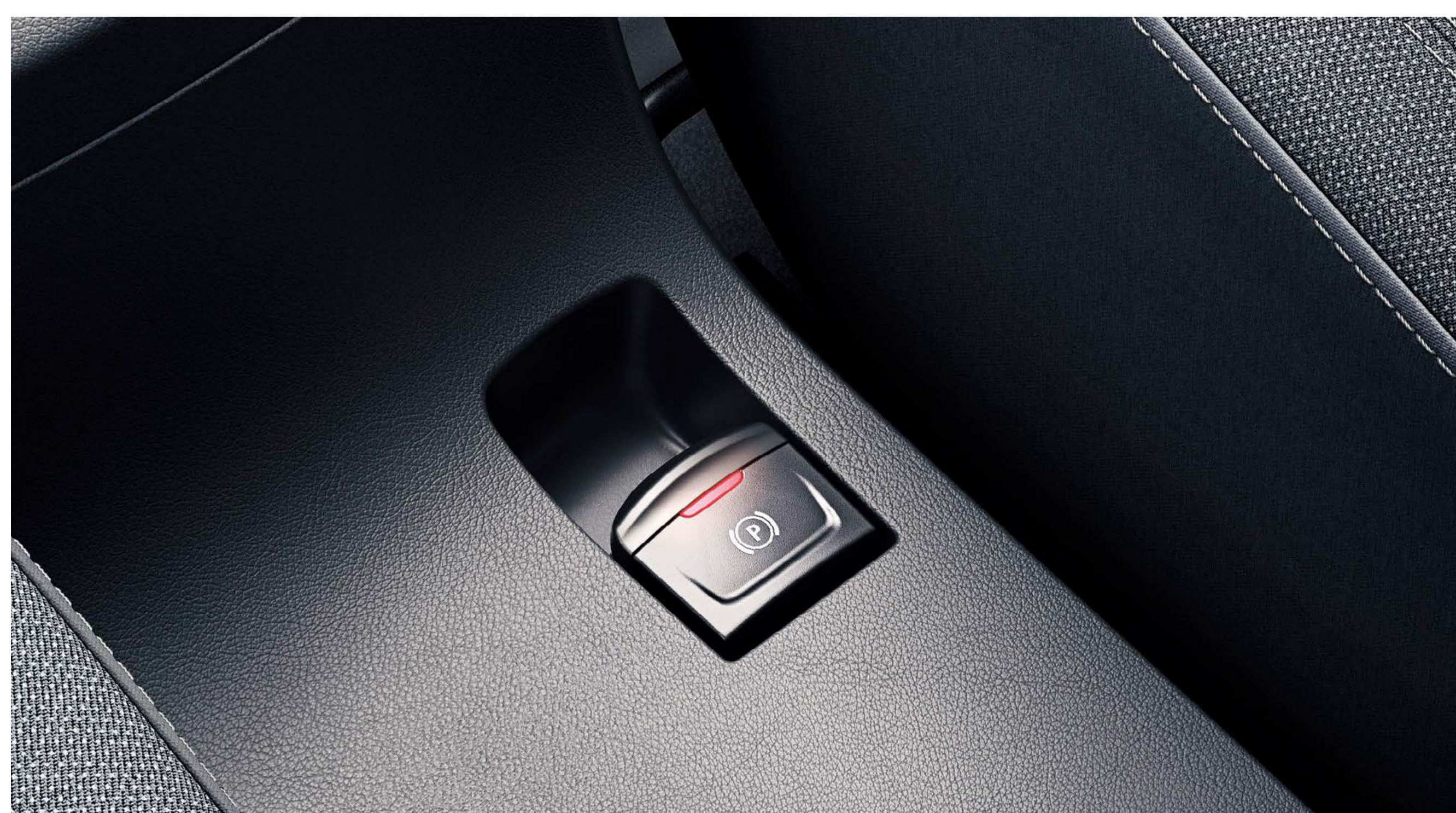
In terms of equipment, enjoy the height- and depth-adjustable seats and steering wheel, the electric parking brake and a closed storage space in the armrest: practicality and comfort combined. Connect your smartphone and use your preferred applications on the 8-inch touch screen. The controls, all placed within easy reach, provide maximum ease of access to all functions.



Specific upholstery



8-inch touch screen with Medianav



Electric parking brake

[BUILD YOURS](#)

[MENU](#)

VERSATILE CROSSOVER

Dacia Sandero Stepway rises to the challenge of real life: thanks to its large extendible boot, switch from city life to adventure in a flash. And you still benefit from the latest devices that allow you to drive with complete peace of mind.



*Sunroof not available in the UK

THE SPACE YOU NEED TO FIT ALL YOUR WISHES

Fold down the seats with a single touch, adjust the loading capacity as required and live life to the full.



*Sunroof not available in the UK

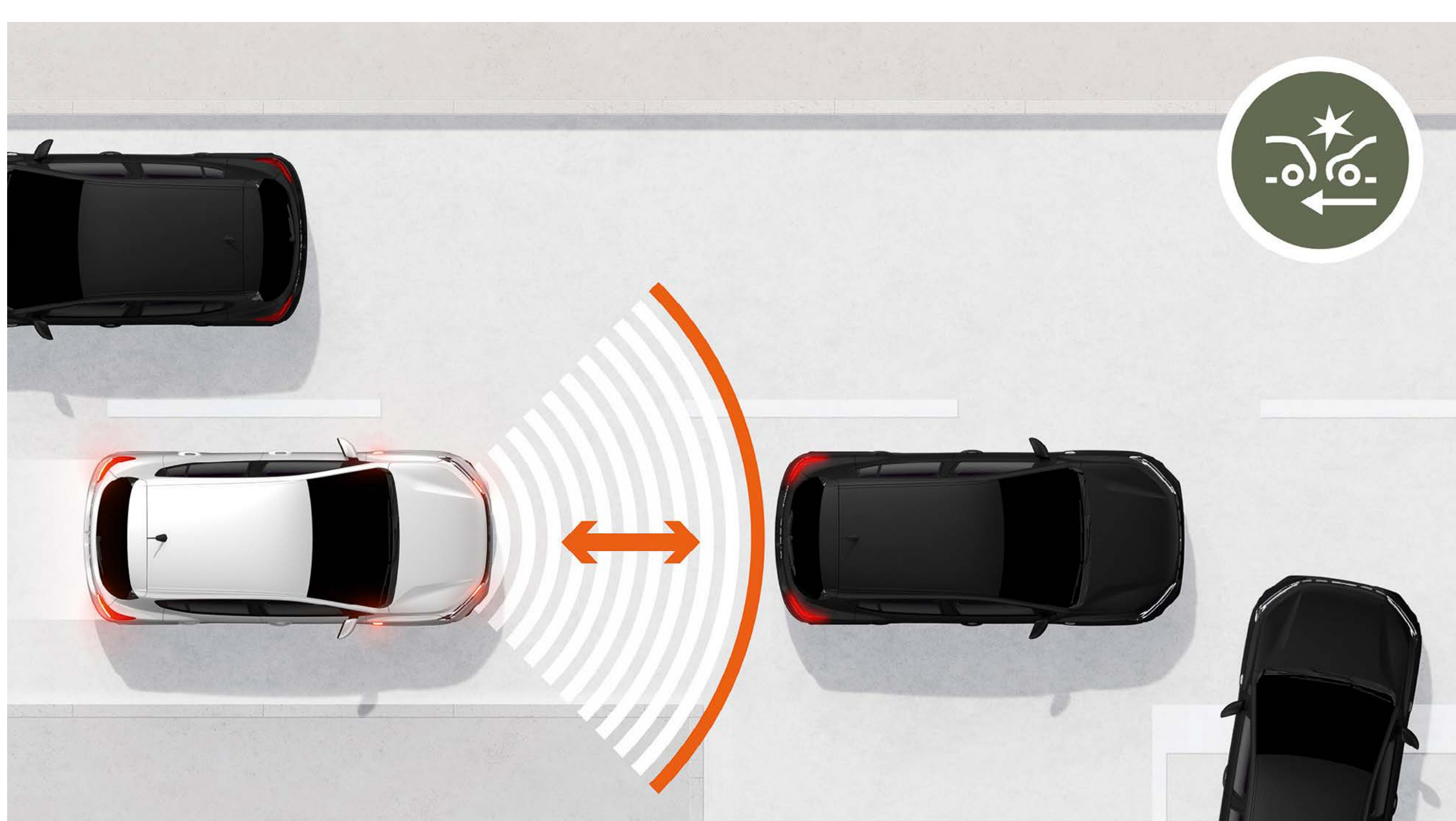
Thanks to an ingenious system, effortlessly convert your roof bars into transverse roof bars to fit a roof compartment, a bicycle rack or a ski rack. Ready to take on the world? Let's Go!



Modular roof bars

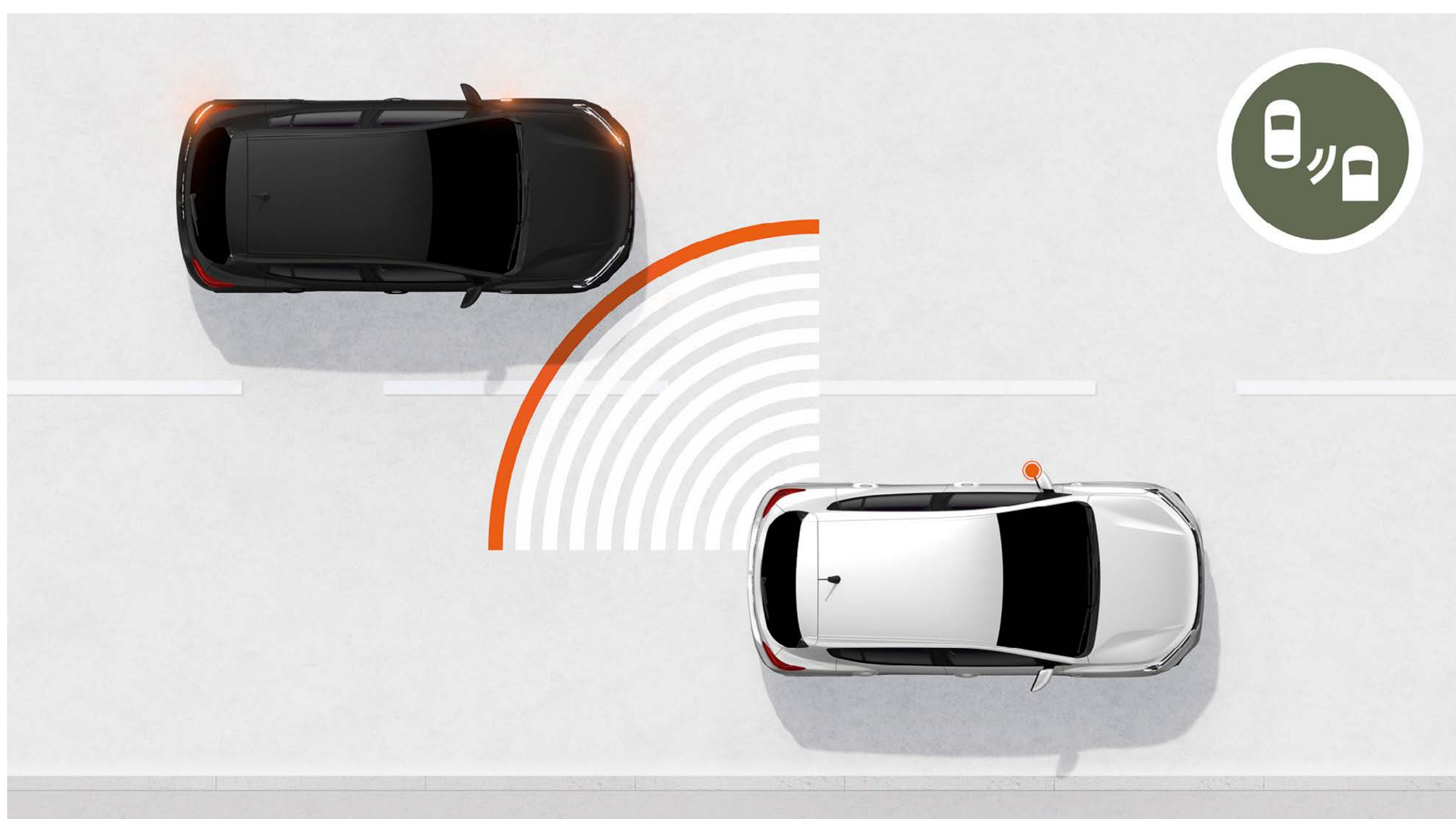
SAFE EVERY STEP OF THE WAY

For Dacia, nothing is more important than constantly improving the safety of our vehicles, and most of all, that of the passengers. What with automatic emergency braking, hill start assist, six airbags (standard) and blind spot sensor, you can relax. Sandero Stepway provide everything you need for worry-free driving.



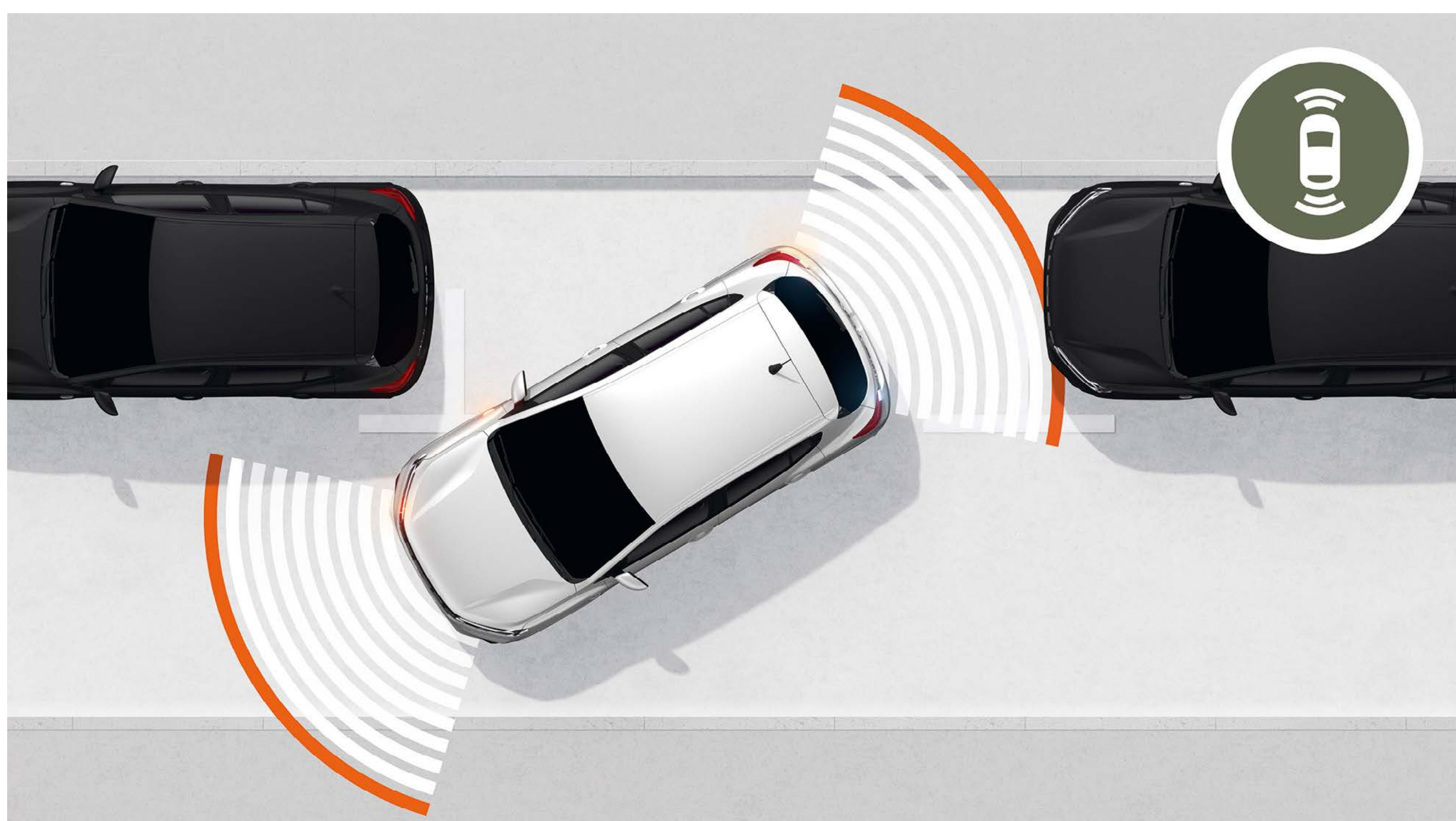
AUTOMATIC EMERGENCY BRAKING

Sometimes, concentrating and being reactive is not enough. You can rely on Sandero Stepway to avoid or mitigate minor accidents. Automatic emergency braking detects collision hazards. If you don't react or if you don't react quickly enough, your system triggers and optimises braking.



BLIND SPOT WARNING

It's difficult to see everything when you change lanes. Equipped with side, front and rear sensors, your Sandero Stepway warns you in the event of a risk of collision with another vehicle from the side or rear.



FRONT/REAR PARKING SENSORS AND REAR-VIEW CAMERA

In the city, all parking spaces are worth taking, even the narrowest ones. You will be won over from the first manoeuvre by the sensing device that warns you with an audible and visual signal as soon as an obstacle is detected at the front or rear of the vehicle.



HILL START ASSIST

No need to stress when you start on a slope! This function immediately prevents the vehicle from moving backwards when you release the brake pedal. You no longer have to grab the parking brake to help you; manoeuvring your vehicle is as easy as ABC.

[BUILD YOURS](#)

[MENU](#)

DISCOVER THE EQUIPMENT

COLOUR PALETTE



HUBCAPS & WHEELS



AMBIANCES



ACCESSORIES



ENGINES



EQUIPMENT & OPTIONS



PRICING



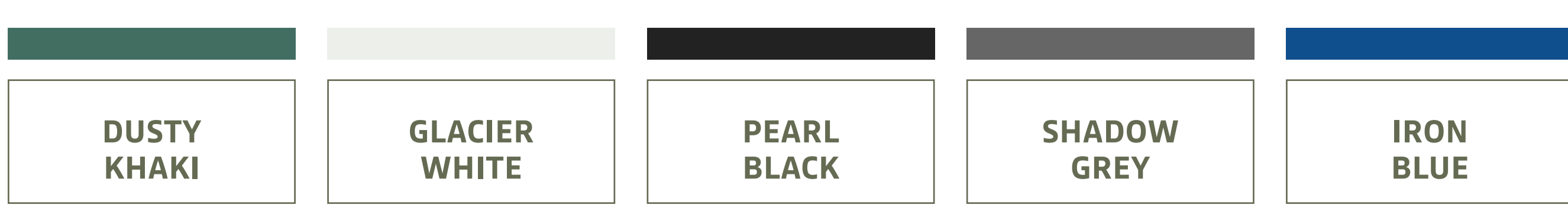
SERVICING



DIMENSIONS



COLOUR PALETTE



DUSTY KHAKI⁽³⁾



GLACIER WHITE⁽¹⁾



PEARL BLACK⁽²⁾



SHADOW GREY⁽²⁾



IRON BLUE⁽²⁾



CEDAR GREEN⁽²⁾



SAFARI BEIGE⁽³⁾

(1) Solid paint. (2) Metallic paint. (3) Special paint. Photos not contractually binding.

COLOUR AVAILABILITY		Essential	Expression	Extreme
SOLID PAINT				
369	Glacier White	○	○	○
METALLIC PAINT				
676	Pearl Black	○	○	○
KQG	Shadow Grey	○	○	○
DQK	Cedar Green	-	○	○
RQH	Iron Blue	-	○	○
SPECIAL PAINT (PRICED AS METALLIC)				
HNY	Safari Beige	-	○	○
KQM	Dusty Khaki	-	○	○

○ = Optional. - = Not available.

HUBCAPS & WHEELS



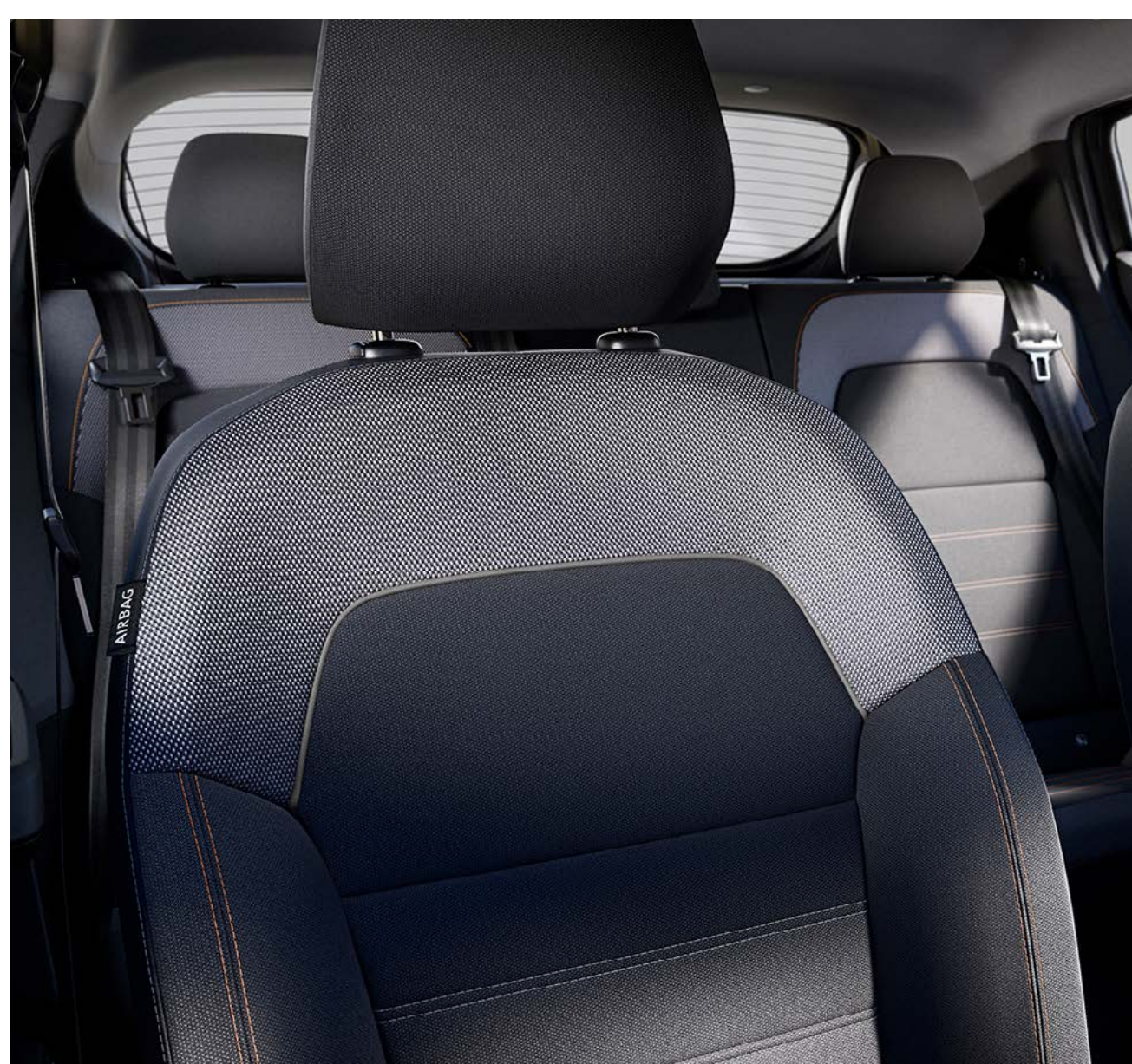
16" FLEX WHEELS ATARA DARK



16" ALLOY WHEELS BLACK MAHALIA

AMBIANCES

ESSENTIAL



MAIN EQUIPMENT

EXTERIOR PRESENTATION

- New glossy black grille integrating the Dacia logo and white decorative inserts
- LED signature lighting
- Automatic LED daytime running lights
- Flexwheel 16" Atara Dark wheel trims
- Body-coloured front and rear bumpers
- Megalith Grey front and rear skid plates
- Black exterior door handles
- Black exterior mirrors
- Modular longitudinal roof bars

INTERIOR PRESENTATION

- Copper brown air vent surrounds
- Black interior door handles
- Rear bench seat with 1/3-2/3 folding and split function
- Specific Stepway upholstery with copper-coloured inserts and stitching

ACTIVE AND PASSIVE SAFETY

- ABS (Anti-lock Braking System) & EBA (Emergency Brake Assist)
- ESP (Electronic Stability Program) + HSA (Hill Start Assist)
- Emergency call (E-call)
- Driver frontal airbag / deactivatable passenger frontal airbag
- Front thorax and head curtain airbags (front + rear)
- Front and rear lateral seat belts with pre-tensioner and load limiter
- Tire pressure monitoring system
- Inflation kit
- Isofix child seat mounting system on rear outer seats
- 180 kmh / 112 mph Speed Limiter
- Alcohol Immobiliser predisposal
- Event Data Recorder
- Advanced Emergency Braking System (AEBS)
- Traffic sign recognition with speed alert/Intelligent Speed Assist (ISA)

- Lane Departure Warning (LDW) + Lane Keep Assist (LKA)
- Rescue Code
- «My Safety» button

DRIVING AND CONTROL DEVICES

- Electric power-assisted steering
- Stop & Start, ECO mode
- On-board computer: distance travelled, average speed, range, average consumption (including GPL)
- Speed limiter and cruise control
- Height-adjustable steering wheel

VISIBILITY

- Door mirrors with interior manual adjustment

COMFORT

- Manual air conditioning
- Electric door locking with radio frequency remote control
- Automatic door locking when driving
- Electric front windows for driver and passenger
- Front ceiling light
- 1 USB-C socket at the front
- 1 12 V socket at the front

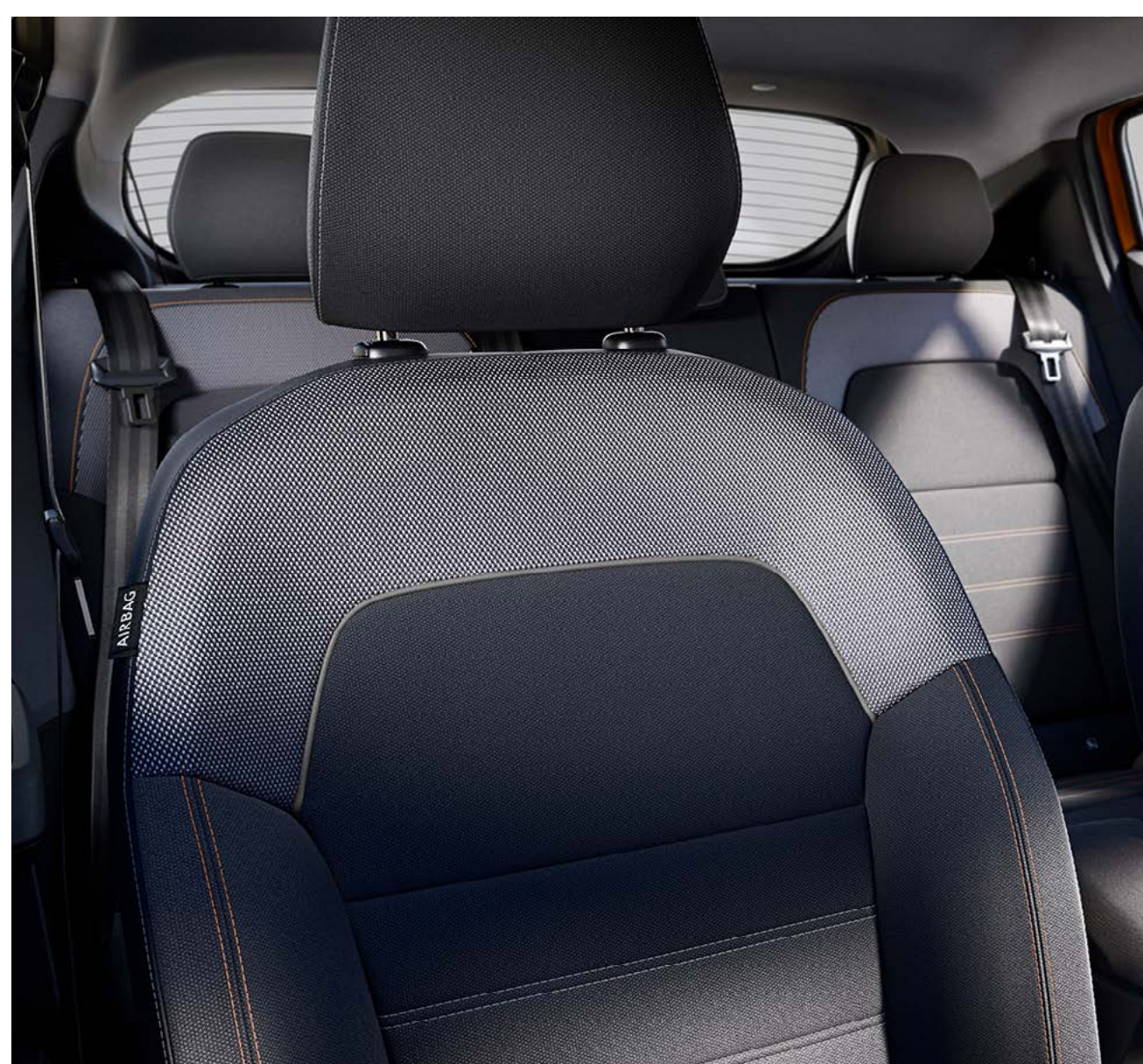
AUDIO

- Media Control: DAB radio with steering wheel controls, integrated display in the on-board computer screen, fixed smartphone holder on the dashboard, 4 front speakers, Bluetooth® connectivity, Dacia Media Control mobile application

OPTIONS

- Available in Glacier White (Solid), Pearl Black (Metallic), and Shadow Grey (Metallic)
- Spare wheel (not available on TCe100 Bi-Fuel versions)

EXPRESSION



MAIN EQUIPMENT

EXPRESSION STEPWAY = ESSENTIAL STEPWAY +

EXTERIOR PRESENTATION

- White Stepway inscription on grille
- Body-colored exterior door handles
- Body-colored mirrors

INTERIOR PRESENTATION

- Fog Grey colored air vent surrounds with Copper Brown center and white sliders
- Steel Grey interior door handles
- Fog Grey interior decorative elements
- Fabric lining on dashboard and front door armrests
- Split-fold rear bench seat backrest with 1/3-2/3 configuration
- Soft feel steering wheel adjustable for height and depth

VISIBILITY

- Fog lights
- Electrically adjustable and heated exterior mirrors

COMFORT

- Automatic windshield wipers
- 4 electric windows, with driver's side one-touch control
- Keyless entry
- Rear parking sensors and reversing camera

AUDIO

- Media Display with Android Auto™ and Apple CarPlay™ compatibility with smartphone replication via wifi or USB cable (DAB radio with 8" touchscreen and 4 speakers)

OPTIONS

- Metallic or special paint
- Spare wheel (not available on TCe100 Bi-Fuel versions)

EXTREME



MAIN EQUIPMENT

EXTREME STEPWAY = EXPRESSION STEPWAY +

EXTERIOR PRESENTATION

- Specific outdoor design with bottom door protections and side stickers with topographic patterns
- Copper Brown finish: exterior mirrors, «Stepway» inscription on roof bars, decorative trim on fog lights
- 16" black Mahalia Black aluminum wheels with Copper Brown Dacia logo
- Shark fin antenna in Glossy Black.

INTERIOR PRESENTATION

- EXTREME specific upholstery with washable TEP MicroCloud fabric, with Copper-Brown stitching and embossed Dacia logo
- Copper-Brown decoration: decorative strips on the door panels
- Washable TEP MicroCloud fabric on the dashboard and front door armrests
- Rubber floor mats front and rear with topographic patterns
- Door sill with topographic patterns

DRIVING AND CONTROL DEVICES

- Extended Grip function
- Front and Rear parking sensors + reversing camera
- Blind spot warning

COMFORT

- Automatic air conditioning
- Double-level trunk floor
- Electric parking brake and high central armrest with storage
- Rear USB-C socket

AUDIO

- 8" Media Nav, Bluetooth, smartphone replication, steering wheel controls, DAB

OPTIONS

- Metallic or special paint
- Spare wheel (not available on TCe100 Bi-Fuel versions)

ACCESSORY PACKS

STYLE PACK (ESSENTIAL & EXPRESSION)

£375 inc. fitting



Roof spoiler



Shark fin aerial



Illuminated door sills

PROTECTION PACK (ESSENTIAL)

£285 inc. fitting



Front & rear lower door protectors



Front & rear mud guards

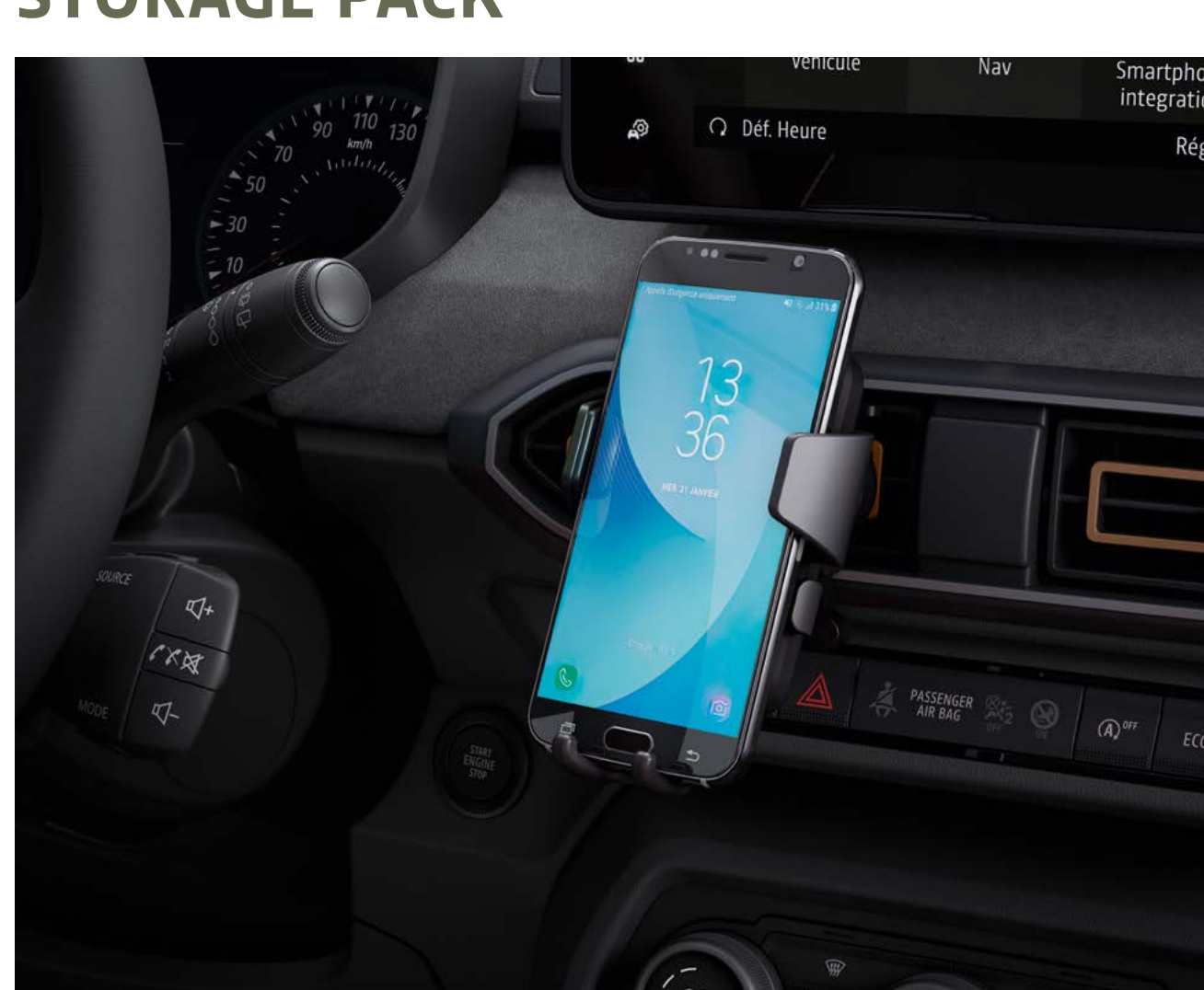


Boot mat

Available for Expression & Extreme versions:
Mud guards & boot mat £160 inc. fitting

STORAGE PACK

£120



Magnetic phone holder



Rear tray table & fixings

Storage pack + available with 2 x rear tray tables & fixings £222

TOURING PACK

£449



Roof bars



Roof box 400L

DASH CAM PACK

£395 inc. fitting



KENWOOD front dash cam



KENWOOD rear cam

CYCLE PACK

£410



Roof bars



2 x bike carriers for roof

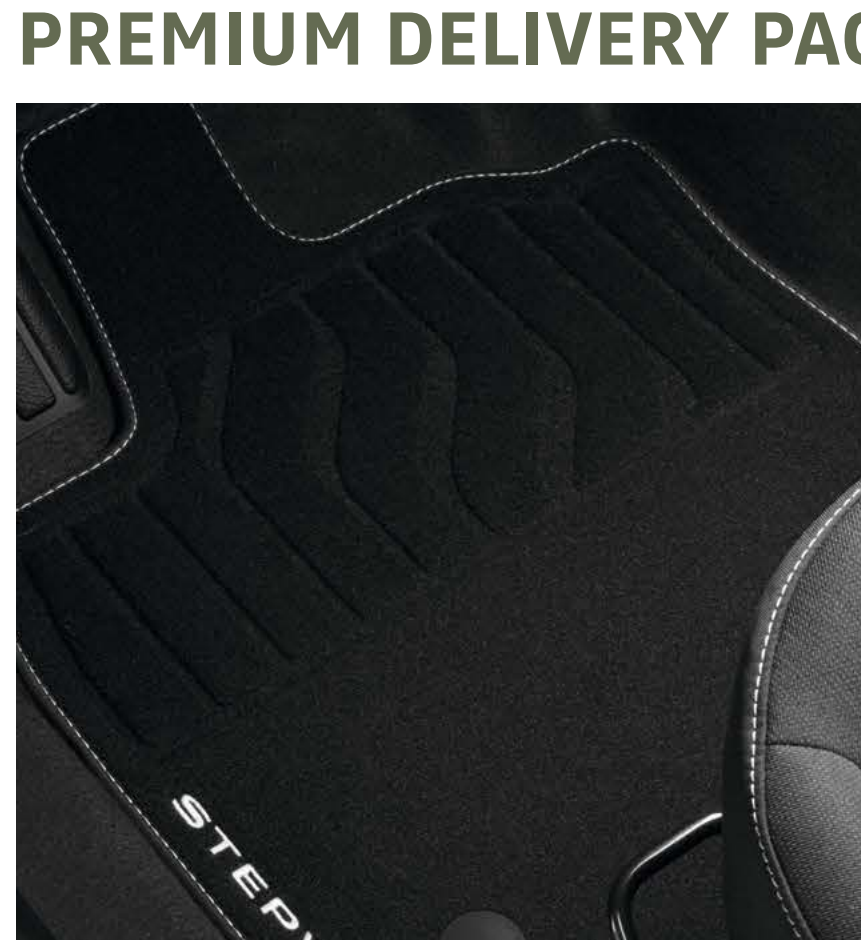
TOW BARS



Swan neck towbar 13 pin
Removable towbar 13 pin

£579 inc. fitting
£645 inc. fitting

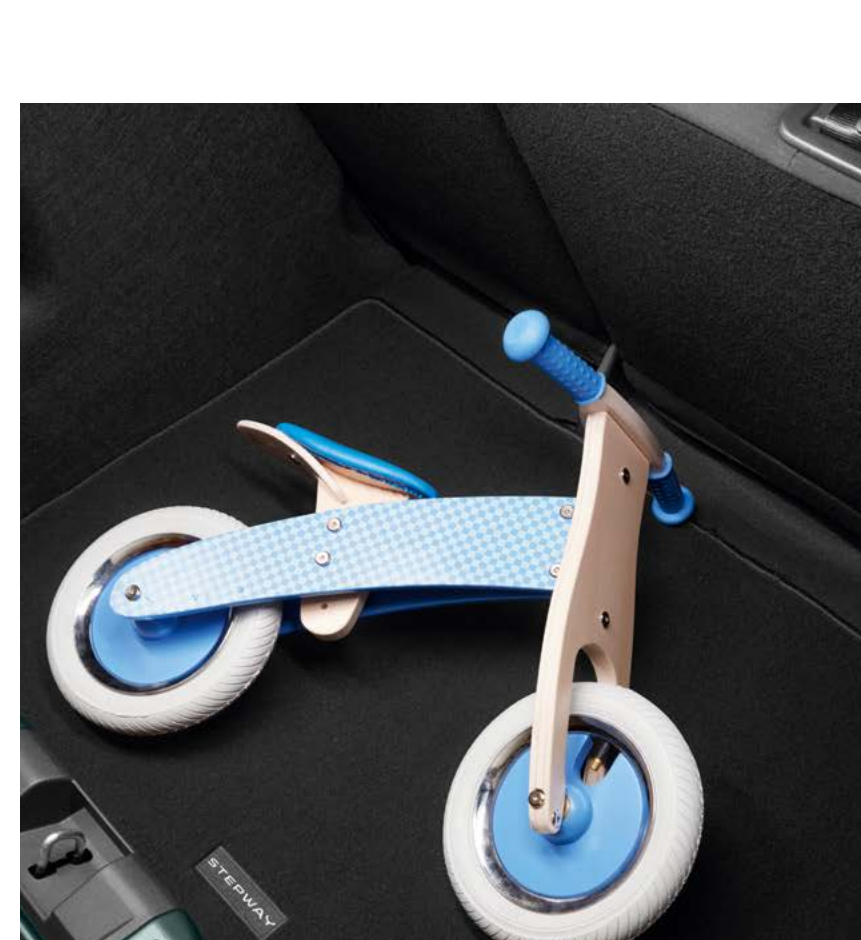
PREMIUM DELIVERY PACKS



Premium mats



Safety kit



Textile boot mat

PREMIUM DELIVERY PACK

Premium mats

Safety kit

£95

PREMIUM DELIVERY PACK+

Premium mats

Safety kit

Textile boot mat

£160

All accessories purchased prior to vehicle registration come with a 3 year manufacturers warranty
Accessories are fitted post production and may have an impact on WLTP fuel (actual) consumption and CO₂ figures

[DOWNLOAD THE ACCESSORIES BROCHURE](#)

ENGINES

	TCe 90	TCe 90 CVT	TCe 100 Bi-fuel	TCe 110
SANDERO STEPWAY ENGINES				
Fiscal rating (CV) (France)	5	5	5	6
Fuel	Unleaded fuel (E10)	Unleaded fuel (E10)	Unleaded fuel (E10)/LPG	Petrol
Max. power kW CEE (hp) at an engine speed of (rpm)	67 at 4,600-5,000	67 at 4,500-5,000	LPG mode: 74 at 4,600-5,000 Petrol Mode: 67 at 4,800-5,000	81 at 5,000-5,250
Max. torque Nm CEE at an engine speed of (rpm)	160 at 2,100-3,750	142 at 1,750-3,750	LPG mode: 170 at 2,000-3,500 Petrol Mode: 160 at 2,100-3,750	200 at 2,900-3,500
Gearbox type	Manual 6-speed	Auto-CVT	Manual 6-speed	Manual
Type of Injection	Turbo indirect injection			Gasoline indirect injection
Capacity (cc)	999			
Number of cylinders/valves	3/12			
Emission control standard	Euro 6 DFull			

CHASSIS AND STEERING

Tyre dimensions	205/60 R16 92H			
Steering - Turning circle, kerb to kerb (m)	10,39			
Front suspension	Pseudo McPherson with lower wishbone, spiral spring suspension with telescopic hydraulic shock absorbers and anti-roll bar			
Rear suspension	Semi-rigid axle with anti-roll bar spring suspension and telescopic hydraulic shock absorbers			

PERFORMANCE

			LPG	Petrol		
Maximum speed (mph)	107	101	108	107	114	
0-62 mph (s)	12	14,2	11,9		10	
Mid-range acceleration:						
50 mph - 75 mph (s)	in 4 th	10,3		10,0	10,2	7.7
	5 th	14,6	12,6	13,9	14,4	10.7
	6 th	22,6		20,6	21,9	17.1

FUEL CONSUMPTION AND EMISSIONS⁽¹⁾

Approval protocol	WLTP ⁽²⁾				
Fuel tank capacity (l)	50	50	Petrol: 50 LPG : 40		50
			LPG	Petrol	
CO ₂ (g/km) Emissions Best Case - Worst Case	120/121	131/140	108/109	122/122	125
Fuel consumption during combined cycle (mpg) Best Case - Worst Case	44/44	41/38	35/35	44/44	51

VOLUMES AND WEIGHTS

	Essential	Expression/ Extreme	Expression/ Extreme	Essential	Expression/ Extreme	Extreme
Minimum kerb weight	1,076	1,097	1,122	1,132	1,153	1,107
Maximum kerb weight	1,119	1,136	1,159	1,160	1,176	1,146
Gross train weight (GTW)	2,680	2,680/2,685	2,701	2,705	2,720	2,690
Maximum permissible laden weight (MPLW)	1,565	1,580	1,605	1,605	1,620	1,590
Max. braked towing weight	1,100	1,100	1,100	1,100	1,100	1,100

(1) Official consumption and emissions according to applicable regulations. (2) WLTP (Worldwide Harmonized Light Vehicle Test Procedures): this new protocol provides results much closer to those found in daily use compared to the NEDC protocol. *Fuel consumption and CO₂ emissions are certified using a standard, regulated method. It is identical for all manufacturers and allows vehicles to be compared.

[BUILD YOURS](#)

[MENU](#)

EQUIPMENT & OPTIONS

	ESSENTIAL	EXPRESSION	EXTREME
EXTERNAL APPEARANCE			
LED brand light	•	•	•
LED automatic daytime running lights	•	•	•
Grille	Black	Black	Black
Grille with «Stepway» inscription	White	White	White
Dacia rear lettering	White	White	Copper Brown
Front/rear bumpers	Body-coloured	Body-coloured	Body-coloured
Megalith Grey front/rear skid plates	•	•	•
Side protection stickers/snorkel-type sticker	-	•/-	Specific Extreme design
Exterior door handles	Black	Body-coloured	Body-coloured
Door mirrors	Black	Body-coloured	Copper Brown
Longitudinal roof bars	•	-	-
Modular longitudinal roof bars (Megalith Grey)	-	•	•
16" aluminium wheels	-	-	•
INTERIOR APPEARANCE			
Centre of air vents	Copper Brown and white sliders	Copper Brown and white sliders	Copper Brown and white sliders
Air vent surrounds	Black	Fog Grey	Fog Grey
Interior door handles	Black	Steel Grey	Steel Grey
Upholstery on the dashboard and front door armrests/trim on the front door panels	-/-	Fabric/-	MicroCloud plastic-coated fabric/Copper Brown
1/3- 2/3 split-fold rear bench seatback	•	•	•
Soft feel steering wheel	-	•	•
ACTIVE AND PASSIVE SAFETY			
ABS (Anti-lock Braking System) and EBA (Emergency Brake Assist)	•	•	•
Intercity Automatic Emergency Braking (AEBS)	•	•	•
ESP (Electronic Stability Program) + HSA (Hill Start Assist)	•	•	•
Emergency call (E-call)	•	•	•
Driver's front airbag/passenger's front airbag can be deactivated	•/•	•/•	•/•
Shoulder and curtain side airbags	•	•	•
Rear parking sensors	•	•	•
Rear camera	-	•	•
Front and rear parking sensors	-	-	•
Blind spot warning	-	-	•
Electric parking brake and high central armrest with storage	-	-	•
Tyre pressure detection	•	•	•
Spare wheel + jack (except LPG)	○	○	○
Tyre inflation kit	•	•	•
Isofix child seat mounting system on rear side seats	•	•	•
180 kmh / 112 mph speed limiter	•	•	•
Alcohol Immobiliser predisposal	•	•	•
Event Data Recorder	•	•	•
Advanced Emergency Braking System (AEBS)	•	•	•
Traffic sign recognition with speed alert/Intelligent Speed Assist (ISA)	•	•	•
Lane Departure Warning (LDW) + Lane Keep Assist (LKA)	•	•	•
Rescue Code	•	•	•
"My Safety" button	•	•	•

-: not available; •: available as standard; ○: available as an option.

Android Auto™ is a Google Inc. brand. Apple CarPlay™ is an Apple Inc. brand.

EQUIPMENT & OPTIONS (CONTINUE)

ESSENTIAL EXPRESSION EXTREME

DRIVING AND CONTROL INSTRUMENTS

Electrical power-assisted steering	•	•	•
Stop & Start	•	•	•
On-board computer: distance travelled, average speed, range, average consumption (including for LPG)	•	•	•
Cruise control/Speed limiter with audible warning	•/•	•/•	•/•
Extended Grip function	-	-	•

VISIBILITY

Front fog lights	-	•	•
Door mirrors with interior manual adjustment	•	-	-
Electrically adjustable door mirrors	-	•	•

COMFORT

Manual heating and air conditioning system	•	•	-
Automatic heating and air conditioning system	-	-	•
Automatic windscreen wipers	-	•	•
Electric door locking with radio frequency remote control	•	•	•
Automatic locking of doors when in motion	•	•	•
Keyless entry	-	•	•
Front electric driver and passenger windows	•	•	•
One-touch driver-seat window control (with anti-trapping function), non one-touch passenger side	-	•	•
Electric rear windows	-	•	•
Height- and reach-adjustable steering wheel	•/-	•/•	•/•
Front ceiling light	•	•	•
1 USB-C socket in the front	•	•	Front and rear
1 x 12V socket in the front	•	•	•
Heated front seats	-	-	•
Modular boot with twin-level floor	-	-	•

AUDIO

Media Control: DAB radio with controls on the steering wheel, integrated display on the on-board computer screen, smartphone holder fixed on the dashboard, 2 front speakers, Bluetooth® connection, Dacia Media Control mobile application	•	-	-
Media Display: Android Auto™ and Apple CarPlay™ compatibility with smartphone replication via USB cable (DAB radio with 8" touch screen and 4 speakers)	-	•	-
Removable phone holder	-	•	•
Media NAV: navigation with MAP CARE (Western or Eastern Europe map + 6 free updates for 3 years), DAB radio, smartphone replication via USB cable, Bluetooth® connection, 6 speakers (4 speakers + 2 tweeters), 8" touch screen, 1 additional USB at the bottom of the central console	-	-	•

-: not available; •: available as standard; o: available as an option.
 Android Auto™ is a Google Inc. brand. Apple CarPlay™ is an Apple Inc. brand.

[BUILD YOURS](#)

[MENU](#)

PRICING

	CO ₂ G/KM WLTP	FUEL TYPE	COMBINED FUEL CONSUMPTION (MPG) - WLTP	BHP	BENEFIT IN KIND	VED YEAR 1	BASIC PRICE	VAT 20%	TOTAL RETAIL PRICE	ON THE ROAD PRICE*
ESSENTIAL										
TCe 90 MY23	125	Petrol	51.4 (5.5)	90	30%	£220	£12,020.83	£2,404.17	£14,425.00	£15,295
TCe 100 Bi-Fuel MY23	130/113	Petrol/LPG	49.6 (5.7) - 40.4 (7.0)	100	31%	£260	£11,987.50	£2,397.50	£14,385.00	£15,295
EXPRESSION										
TCe 90 MY23	126	Petrol	51.4 (5.5)	90	31%	£220	£12,854.17	£2,570.83	£15,425.00	£16,295
TCe 100 Bi-Fuel MY23	130/113	Petrol/LPG	48.7 (5.8) - 40.4 (7.0)	100	31%	£260	£12,820.83	£2,564.17	£15,385.00	£16,295
EXTREME										
TCe 90 MY23.5	127	Petrol	50.4 (5.6)	90	30%	£220	£13,979.17	£2,795.83	£16,775.00	£17,645
TCe 90 Auto MY23.5	140	Petrol	45.6 (6.2)	90	33%	£270	£15,187.50	£3,037.50	£18,225.00	£19,145
TCe 100 Bi-Fuel MY23.5	131/114	Petrol/LPG	48.7 (5.8) - 39.8 (7.1)	100	31%	£260	£13,945.83	£2,789.17	£16,735.00	£17,645
TCe 110	125	Petrol	51.4 (5.5)	110	30%	£220	£14,812.50	£2,962.50	£17,775.00	£18,645

* "On the Road" price includes delivery to the dealer premises, number plates, 12 months government road fund license (depending on CO₂ emissions) and First Registration Fee at £55.

OPTIONS

	ESSENTIAL	EXPRESSION	EXTREME	BASIC PRICE	VAT 20%	TOTAL RETAIL PRICE
Metallic & opaque paint	○	○	○	£541.67	£108.33	£650
Spare Wheel (excluding Bi-Fuel)	○	○	○	£250.00	£50.00	£300

WE'VE GOT YOU COVERED

You might think our shockingly affordable prices mean our cars aren't made to last. Actually, the Dacia range is one tough cookie. To prove it, you get a 3-year* warranty (or 60,000 miles, if you reach that first). This means we will replace any part which has been deemed by a Dacia approved dealer to be defective due to a manufacturing fault, free of charge. To keep the good times rolling, you can extend your warranty up to 7 years for a great price. We also give you a 2-year paintwork and 6-year anti-corrosion warranty, so you can kick back knowing that your Dacia will stay looking good-as-new for years to come.

ROADSIDE ASSISTANCE

Although our cars are built for plain sailing, you can rely on us if you have a breakdown – 24/7 365, wherever you are in the UK or Northern Ireland. This offer also stands for the first 3 years/60,000 miles^Δ after you buy your new Dacia.

DACIA CAR INSURANCE 1

Dacia Insurance has been specifically created to provide superb protection for you and your car. Unlike most other UK insurers, in the event of an accident, your Dacia will be repaired at a Dacia Approved Bodyshop using only Dacia approved parts and approved repair methods. This maintains your Dacia's safety rating, protects its resale value and helps to maintain its Dacia warranty^Λ. Dacia Insurance also offers a courtesy car for the duration of a repair at a Dacia Approved Bodyshop.

Dacia car insurance: 0330 102 7795 www.daciacarinsurance.co.uk

Lines are open Mon - Thurs 8.30am - 7pm, Fri 9am - 6pm, Sat 9am - 5pm

SERVICING

Dacia Service Plans are the ultimate hassle free way to take care of your vehicle. Depending on the Service plan you purchase (grid below) your servicing needs are covered and you benefit from;

- Inflation Proof Servicing – You know exactly what you'll pay and there are no hidden costs
- Peace of Mind – No matter where life takes you, we'll be there in over 5000 workshops across Europe
- Dacia Expertise & Quality – Our highly trained technicians know your Dacia inside out

The Dacia Service Plan contains Dacia services in-line with the manufacturer's service schedule, plus comes with a complimentary vehicle health check to ensure your Dacia is in the best condition possible.

SERVICE PLAN ^Λ	Monthly payments
3 years / 30,000 miles Service Plan	£11.99 per month
4 years / 48,000 miles Service Plan + 1 MOT	£17.99 per month
4 years / 48,000 miles Service Plan + 1 MOT + 1 year extended warranty	£18.99 per month
4 years / 60,000 miles Service Plan +1 MOT + 1 year extended warranty	£24.99 per month

SERVICE INTERVALS[◇]

Annual servicing **OR** servicing at 18,000 miles (whichever comes first)

Service Schedule[◇]

Year 1	Change Cabin Filter	Year 2	Change Oil + Oil Filter	Year 3	Change Cabin filter + Brake Fluid
Year 4	Change Oil + Oil filter + Air filter (36k miles) + Spark Plugs (36k miles)	Year 5	Change Cabin filter + Coolant (90k miles)	Year 6	Change Oil + Oil Filter + Brake Fluid + Accessory Belt (90k miles)

DIESEL MODELS ONLY

Annual servicing **OR** servicing at 15,000 miles (whichever comes first)

Service Schedule[◇]

Year 1	Change Cabin Filter	Year 2	Change Oil + Oil Filter	Year 3	Change Cabin filter + Brake Fluid
Year 4	Change Oil + Oil filter + Air filter (30k miles) + Diesel Filter (30k miles)	Year 5	Change Cabin filter + Coolant (90k miles)	Year 6	Change Oil + Oil Filter + Brake Fluid + Timing Belt (90k miles) + Accessory Belt (90k miles)

*Dacia warranty ends when you reach the age or mileage limit (whichever comes first), from date of registration. Subject to status, terms and conditions apply. For full Dacia Extended Warranty Terms and Conditions visit www.dacia.co.uk/warranty-and-assistance/warranty

^ΔRoadside assistance for the first 3 year / 60,000 miles, which ever is reached first, from date of registration. For full Terms and Conditions visit www.dacia.co.uk/warranty-and-assistance/assistance

[†] Dacia Extended warranties are available to purchase from first date of registration up to end of manufacturer warranty. For full Dacia Extended Warranty Terms and Conditions visit www.dacia.co.uk/warranty-and-assistance/warranty

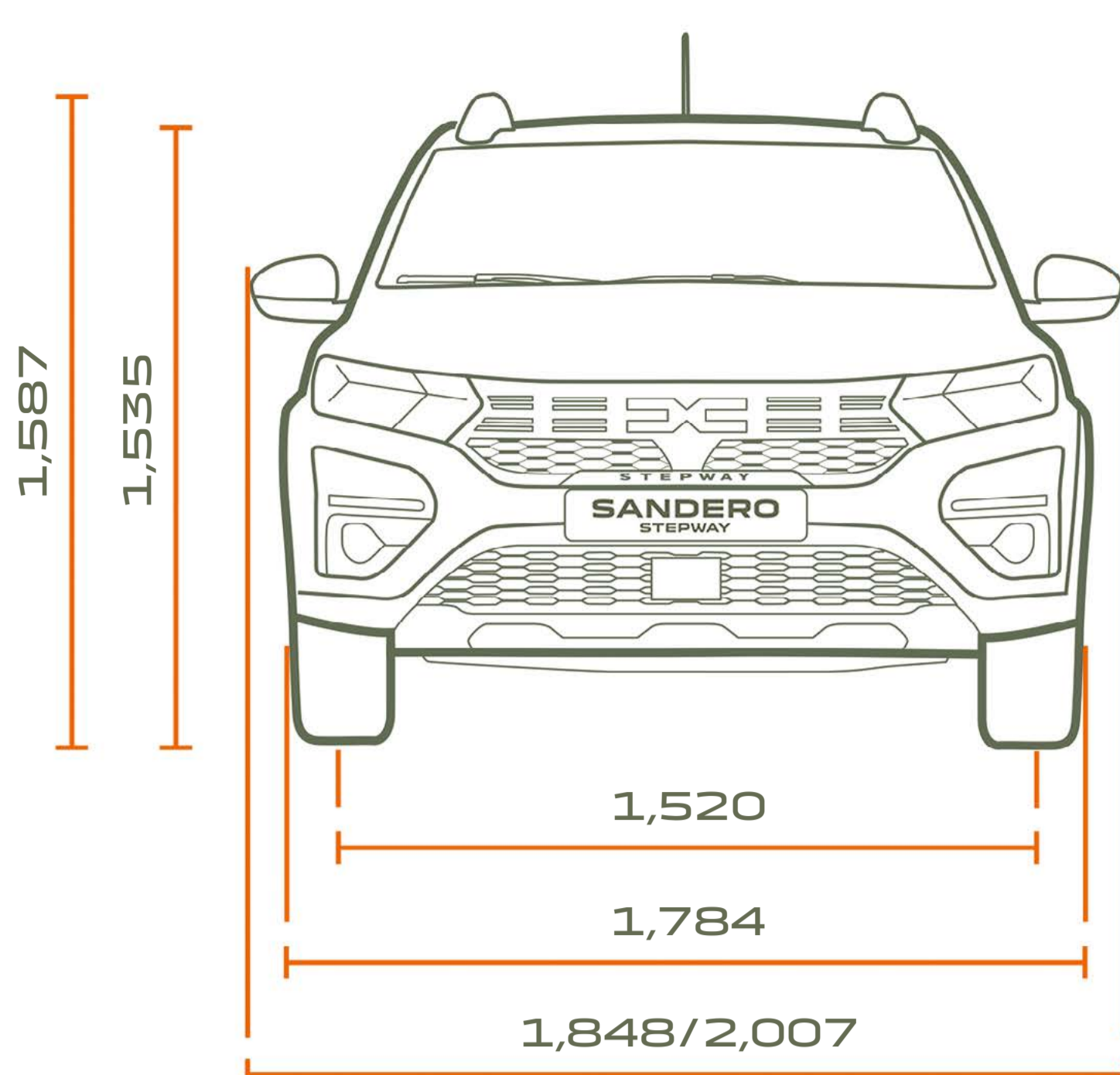
^Λ The Service plan offer is available for eligible retail vehicles only and valid at participating dealers only. Vehicles must be ordered between 4 April to 3 July and registered by 30 September 2024. The Dacia Service plan covers the manufacturer's minimum maintenance programme requirements for the term of the Service plan purchased (refer to the Warranty and Service sheet in the Handover Document wallet for details). The plan ends when you reach the age or mileage limit (whichever comes first). Services must be carried out in line with the manufacturer's minimum maintenance programme requirements and servicing intervals within +/- 1 month or 1,000 miles of the service interval and can only be carried out at a Dacia Approved outlet. Service plans do not cover wear and tear items such as (but not limited to) tyres, wiper blades or brakes. For Service plan full Terms & Conditions visit www.dacia.co.uk/services-and-finance/service-plan. Cannot be part exchanged, refunded or transferred.

[◇] The service schedule and intervals are specific to the version and derivative of vehicle. Check with your Dacia retailer to confirm the service schedule / intervals as the above is an indicative guideline.

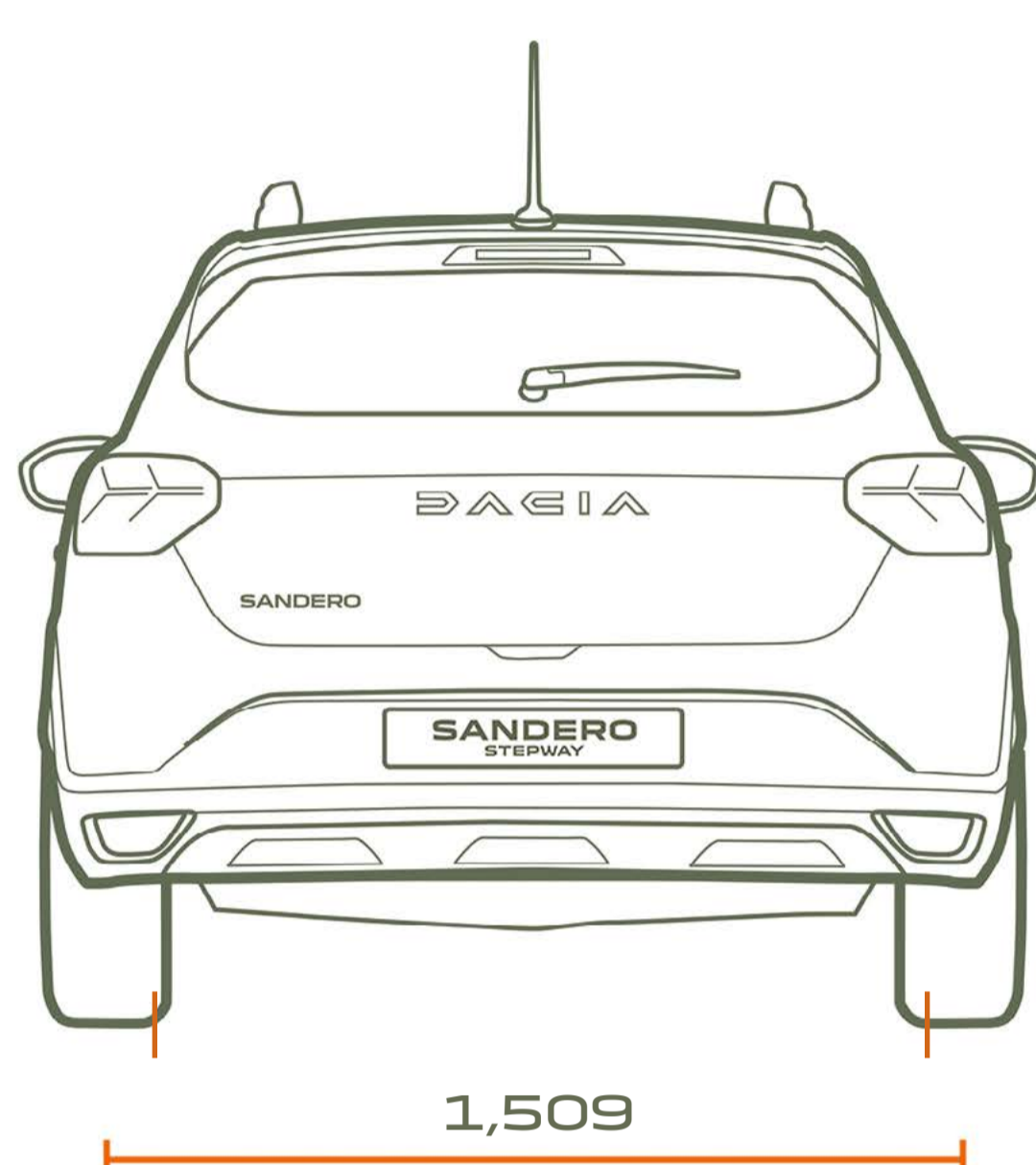
¹ Dacia Insurance is arranged and administered by Verex Insurance Services Ltd, which is registered in England and Wales No. 05686831 at Batchworth House, Church Street, Rickmansworth, Herts, WD3 1JE and is regulated and regulated by the Financial Conduct Authority, No. 487185. Verex Insurance Services Ltd arranges policies from a panel of insurers, details are available on request.

^Λ If your insurer uses non-approved parts which subsequently fail, they may not be covered under your manufacturer's warranty.

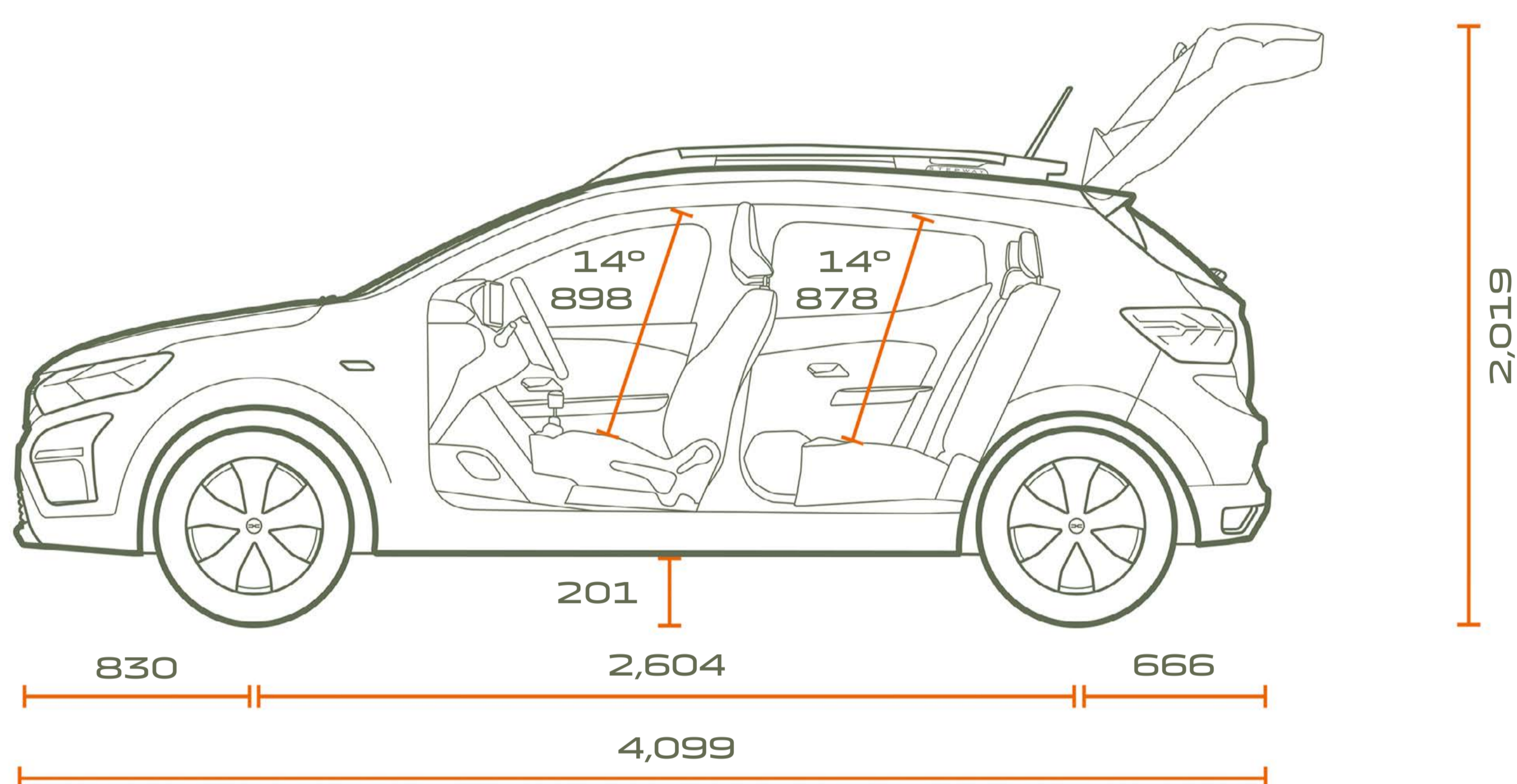
DIMENSIONS



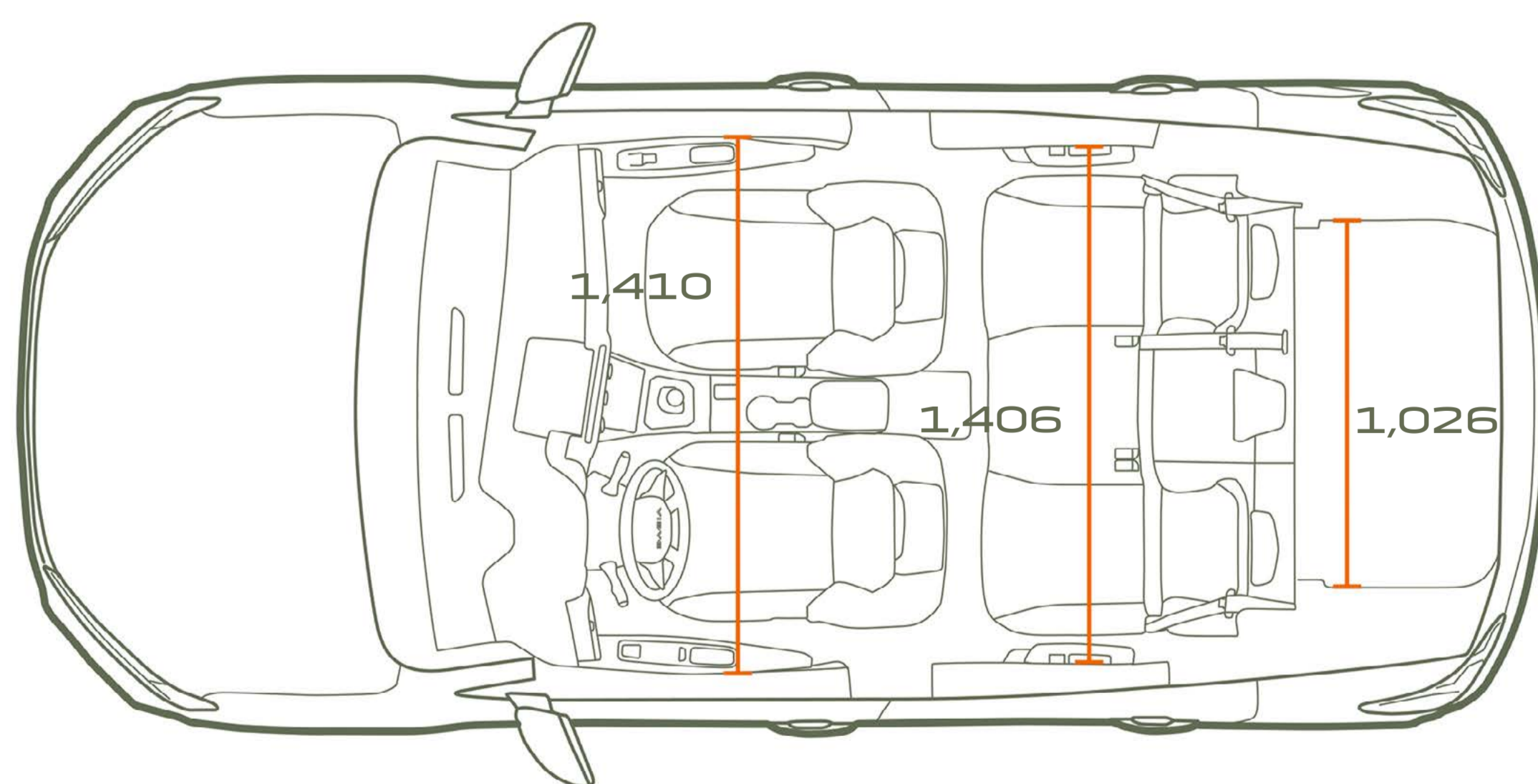
FRONT VIEW



REAR VIEW



SIDE VIEW



TOP VIEW

**BOOT VOLUME
(IN DM³ - VDA STANDARD)**

Minimum boot volume (ISO 3832)	328/410
Maximum boot volume (ISO 3832)	1,108/1,455
Volume under false floor (ISO 3832)	78

AN INCREDIBLE SUCCESS STORY

At Dacia, we offer practical and robust vehicles at the best price. Our models have a distinctive style without unnecessary frills, equipped with the most reliable and approved technologies, all at an unbeatable price. In just fifteen years, we have changed the game and disrupted the automotive market.



TO GO FURTHER

[CLICK AND BUILD YOURS](#)

[BOOK A TEST DRIVE](#)

[FIND YOUR DEALERSHIP](#)



Access the DACIA
Facebook account



Access the DACIA
Twitter account



Access the DACIA
Instagram account

The contents of this brochure were accurate and up-to-date at the time of publication. This document was produced based on pre-series or prototype vehicles. As part of its policy of continuous product improvement, Dacia reserves the right, at any time, to make changes to the specifications and vehicles and accessories described and illustrated. These modifications are notified to Dacia dealers as soon as possible. Depending on the country of sale, versions may differ, and some equipment may not be available (as standard, optional, or accessory). Please consult your Dacia representative for the most up-to-date information. Due to the limitations of printing, the colors shown in this document may slightly differ from the actual paint colors or interior trim materials. All rights reserved. Reproduction, in whole or in part, of this brochure in any form or by any means is prohibited without the prior written authorization of Dacia.

Dacia recommends 

PUBLICIS – PHOTO CREDITS : BAM ; A. BERNIER ; GETTY IMAGES ; MCMURPHY ; Shutterstock ; © RENAULT MARKETING 3D-COMMERCE – APRIL 2024